



NU-TEC
Security
Products

10 Johnson St.
Wynnum Qld

(07) 3396 9546

COLOUR CCD CAMERA

1/4" Colour Digital Mini Camera

Welcome to the quality range of NU-TEC cameras.

Built to handle almost any condition the comprehensive camera range will have a camera to suit your needs.



Camera Model – NT2470

FEATURES

FOR SMALL SIMPLE MONITORING APPLICATION

1/4" SONY CCD DIGITAL SIGNAL PROCESSING SOLUTION

WIDE RANGE AUTO-TRACKING WHITE BALANCE (ATW) OF
2000°K~10000°K

INTERNAL SYNCHRONIZATION

AUTO ELECTRONIC SHUTTER

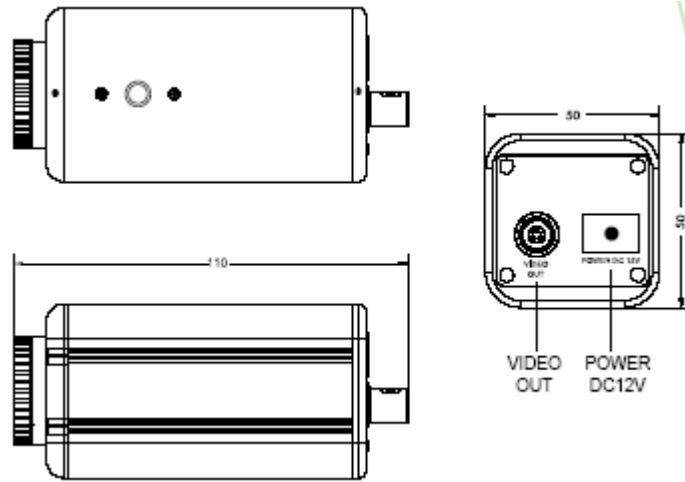
EASY TO INSTALL, EASY TO USE



NU-TEC
Security
Products

10 Johnson St.
Wynnum Qld

(07) 3396 9546



SPECIFICATIONS

Model	NT2470
Image device	SONY CCD SENSOR 1/4" interline color
Picture elements	Total: NTSC 537(H) x 505(V) PAL 510(H) x 597(V) Effective : NTSC 510(H) x 492(V) PAL 500(H) x 582(V)
Scanning system	NTSC standard 525 lines, 30 frames/sec PAL standard 625 lines, 25 frames/sec
Synchronizing system	Internal/Line lock (AC power)
Horizontal resolution	More than 330 TV Lines
Electronic shutter control	Switch ON/OFF, Auto (1/60~1/100000) NTSC (1/50~1/100000) PAL
Gamma	0.45
Minimum illumination	0.6 Lux./F1.2
Video output level	1Vp-p/75 ohms, composite
Video S/N ratio	47dB (AGC OFF)
White balance	Auto-white balance (2000°K~10000°K)
Operating temperature	-10°C~50°C
Storage temperature	-30°C~80°C
Power requirement	DC12V ± 1.2Vdc
Power consumption	DC12V Typical 98mA
Dimensions	50(L) x 50(W) x 110(H)mm
Weight	265g