



NU-TEC
Security
Products

10 Johnson St.
Wynnum Qld

(07) 3396 9546

MOTORISED PAN / TILT DOME SYSTEM
1/3" Dome Camera and Controller

Welcome to the quality range of NU-TEC cameras.

Built to handle almost any condition the comprehensive camera range will have a camera to suit your needs.



Camera Model – NT406ES

FEATURES

SMALL: 7", 168(ø)mm

SPEED:14°/Sec

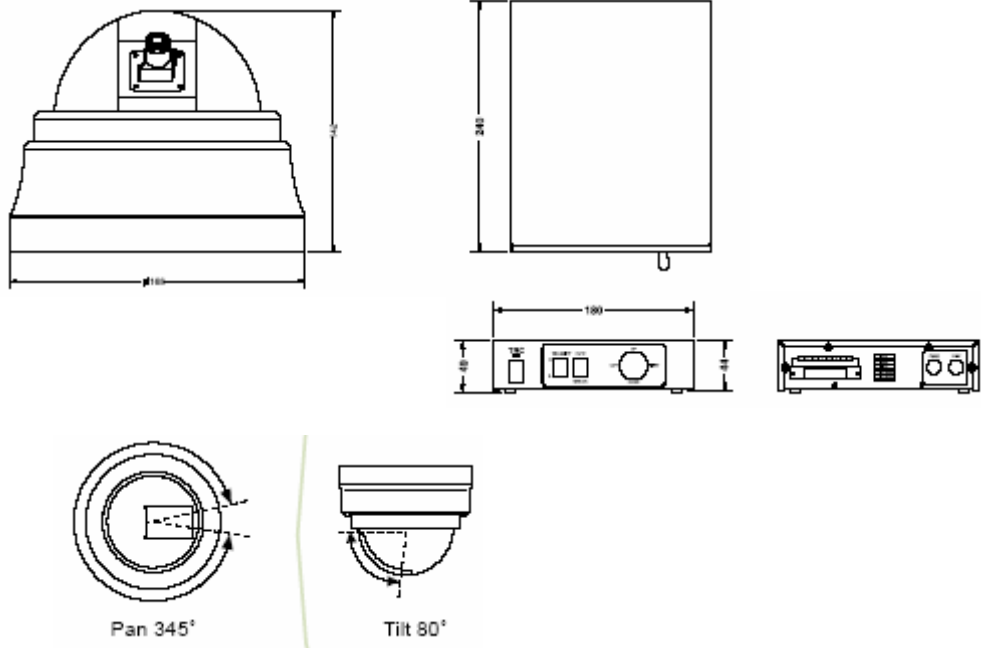
1/3" SONY CCD SENSOR

HORIZONTAL RESOLUTION: OVER 330 TV LINES/ 460 TV LINES
FOR COLOR VERSION 420 TV LINES FOR B/W VERSION

EXTREMELY QUIET OPERATION

INTERNAL SYNCHRONIZATION

EASY MOUNTED TO CEILING



SPECIFICATIONS

Model	NT-406ES (HI-RES)	NT-406F (MID-RES)	NT-406C (MID-RES)
Image device	SONY Color 1/3" SONY B/W 1/3"		
Picture elements	Total: NTSC 811(H) x 496(V) PAL 803(H) x 586(V) Effective: NTSC 768(H) x 494(V) PAL 752(H) x 582(V)	Total: NTSC 542(H) x 497(V) PAL 542(H) x 586(V) Effective: NTSC 510(H) x 492(V) PAL 500(H) x 582(V)	Total: EIA 537(H) x 505(V) CCIR 537(H) x 597(V) Effective: EIA 510(H) x 492(V) CCIR 500(H) x 582(V)
Scanning system	NTSC standard 525 lines, 30 frames/sec PAL standard 625 lines, 25 frames/sec EIA standard 525 lines, 30 frames/sec CCIR standard 625 lines, 25 frames/sec		
Synchronizing system	Internal		
Horizontal resolution	460 TV Lines	330 TV Lines	420 TV Lines
Electronic shutter control	Auto-Shutter (Electronic) Auto-Iris (Mechanic)		
Gamma	0.45		
ELECTRONIC SHUTTER	Auto, 1/60~1/100000 (NTSC, EIA) 1/50~1/100000 (PAL, CCIR)		
Mechanical iris	No		
Minimum illumination	3 LUX./F2.0	2 LUX./F2.0	0.18 LUX./F2.0
Video output level	1Vp-p/75 ohms, composite		
Video S/N ratio	46dB (AGC OFF)		
White balance	ATW,2000°K~10000°K		No
Backlight compensation	Yes		No
Operating temperature	-10°C~50°C		
Storage temperature	-30°C~80°C		
Power requirements	DC 12V±1.2V		
Power consumption	300mA Typical		
Dimensions	168(ø) x 142(H)mm		
Weight	820g		
Lens (F2.0)	Standard 3.6mm,Option 4.3mm		

CONTROLLER

MODEL	NT-406PTC
INPUT/OUTPUT/VOLTAGE	AC110V/60Hz, 220V/50Hz (option)
POWER	Rocker Switch ON/OFF
AUTO/MANUAL	SCAN Paddle Switch Auto/Manual
VELOCITY	Paddle Switch H/L
PAN/TILT	JOYSTICK UP/Down/Right/Left
POWER Indicator	lamp Red LED
POWER CONSUMPTION	3 watts
CONNECTOR	8P Terminal
CONSTRUCTION	Steel, Printed finish
DIMENSIONS	240(L) x 180(W) x 44(H)mm
WEIGHT	1.5 Kgs

**NU-TEC
Security
Products**

10 Johnson St.
Wynnum Qld

(07) 3396 9546