



**NU-TEC**  
Security  
Products

10 Johnson St.  
Wynnum Qld

**(07) 3396 9546**

## COLOUR EXVIEW CAMERA

1/2" Colour Camera with OSD

Welcome to the quality range of NU-TEC cameras.

Built to handle almost any condition the comprehensive camera range will have a camera to suit your needs.



Camera Model – NT5895s

### FEATURES

1/2" Exview CCD Sony sensor DSP (digital signal processing solution)

Greater on-screen display operation

Wide range auto-tracking white balance (ATW) of 2000 °K to 10000°K and push lock

Freely set the size and position of the measuring window of backlight compensation on screen

Automatically switching between color and B/W image depending on lighting condition by measuring image signal

Accessory of IR led illuminator with around emitting range of 15~20 meter

Automatically switching on/off IR led illuminator by well-designed hardware and software

More high power IR illuminators are also used by connecting to 4-pin mini din connector

Accepts video or DC type auto iris lenses

Internal / external (genlock and linelock) synchronization

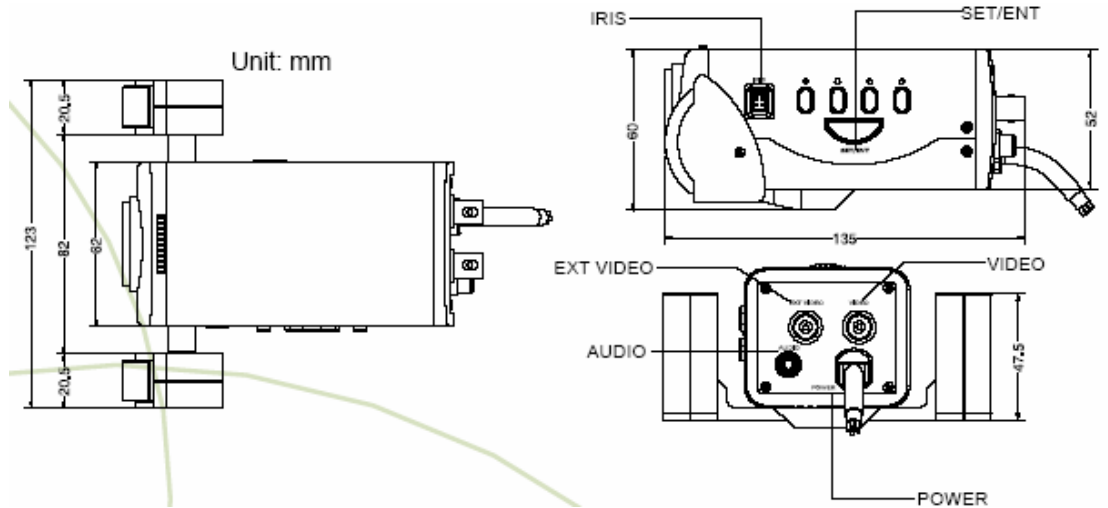
DC12V / AC24V / AC90V~260V power source



**NU-TEC**  
Security  
Products

10 Johnson St.  
Wynnum Qld

**(07) 3396 9546**



**SPECIFICATIONS**

Model	TC-5895
Image device	SONY EX-VIEW 1/2" interline color CCD sensor
Picture elements	Total: NTSC 811(H) x 508(V) PAL 795(H) x 596(V) Effective: NTSC 768(H) x 494(V) PAL 752(H) x 582(V)
Scanning system	NTSC standard 525 lines, 30 frames/sec PAL standard 625 lines, 25 frames/sec
Synchronizing system	Internal / Line lock(AC) / Genlock Selected By OSD
Horizontal resolution	Over 460 TV lines
Electronic shutter control	AE Mode (Auto Electronic Shutter) 1/60 ~ 1/100000 For NTSC, 1/50 ~ 1/100000 For PAL ME Mode (Manual Exposure) 8 Steps NTSC:1/60, 1/100, 1/250, 1/500, 1/1000, 1/2000, 1/4000, 1/10000 PAL:1/50,1/120,1/250,1/500,1/1000,1/2000,1/4000,1/10000 Selected By OSD
Mechanical Iris	Video Drive / DC Drive Auto Iris Lens Selected By OSD
Brightness	Adjustable By OSD
Sharpness	Adjustable By OSD
Gamma (Γ)	Adjustable By OSD
Color	Gain And Hue Adjustable By OSD
White balance	ATW (2000°K~10000°K)
Minimum illumination	IR LED Light OFF:0.2 Lux./F1.2 IR LED Light ON:0 Lux.
Video output level	1 Vp-p/ 75 ohm, composite
Video S/N ratio	46dB (AGC OFF)
Backlight compensation	On / Off, Freely Setting Detection Window Size And Position
Operating temperature	-20°C~50°C
Storage temperature	-30°C~80°C
Power requirement	DC12V/AC 24V/AC 90~260V switching power
Power consumption	Camera: DC12V Typical 150mA IR LED projecting lighter: DC12V Typical 170mA
Projecting range of distance for IR LED lighter	About 15~20m, 30°~40°
Dimensions	135(L) x 123(W) x 60(H)mm
Weight	520g