



NU-TEC
Security
Products

10 Johnson St.
Wynnum Qld

(07) 3396 9546

B&W MINI CCD CAMERA

1/3" B&W Camera (Sony CCD)

Welcome to the quality range of NU-TEC cameras.

Built to handle almost any condition the comprehensive camera range will have a camera to suit your needs.



Camera Model – NTD0222

FEATURES

FOR SMALL SIMPLE MONITORING APPLICATION

1/3" SONY CCD SENSOR

420 TV HORIZONTAL LINES

ACCEPTS VIDEO AND DC TYPE AUTO IRIS LENSES

EASY TO INSTALL, EASY TO USE

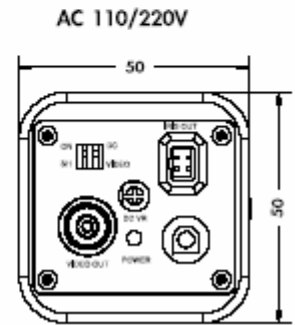
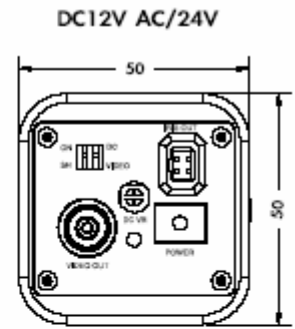
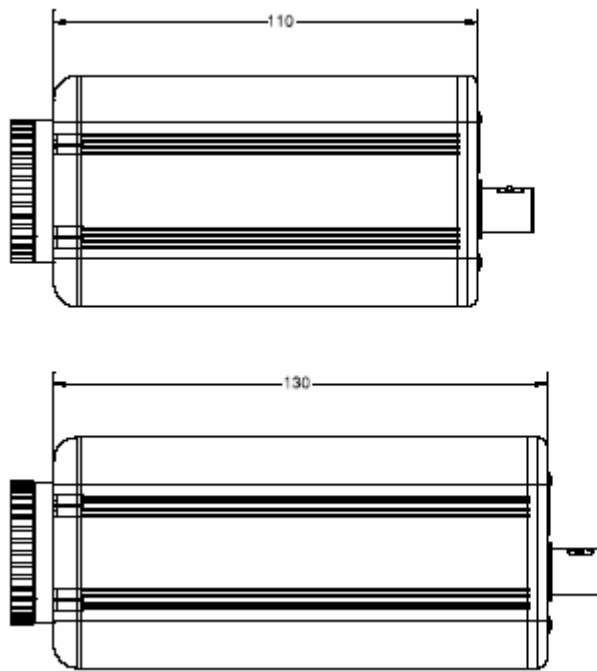
1/3" BW CAMERA (SONY CCD)



NU-TEC
Security
Products

10 Johnson St.
Wynnum Qld

(07) 3396 9546



SPECIFICATIONS

Model	NTD0222
Image device	SONY CCD SENSOR 1/3" interline
Picture elements	Total: EIA 537(H) X505(V) Effective: EIA 510(H) X492(V) CCIR 537(H) X597(V) CCIR 500(H) X582(V)
Scanning system	EIA standard 525 lines, 30 frames/sec CCIR standard 625 lines, 25 frames/sec
Synchronizing system	Internal
Horizontal resolution	420 TV Lines
Electronic shutter control	Switch ON/OFF (1/60 ~1/100000)EIA (1/50 ~1/100000)CCIR
Mechanical iris	Video Drive/DC Drive Auto Iris Lens Connector
Gamma	0.45
Minimum illumination	0.1 Lux./F1.2
Video output level	1Vp-p/75 ohms, composite
Video S/N ratio	48dB (AGC OFF)
Operating temperature	-10°C~ 50°C
Storage temperature	-30°C~ 80°C
Power requirement	DC12V ± 1.2VDC/AC24V/110V/220V
Power consumption	DC12V Typical 100mA
Dimensions	110(L) X50(W) X50(H)mm DC12V/AC24V 130(L) X50(W) X50(H)mm AC110V/220V
Weight	DC12V/AC24V: 305g AC110V/220V: 560