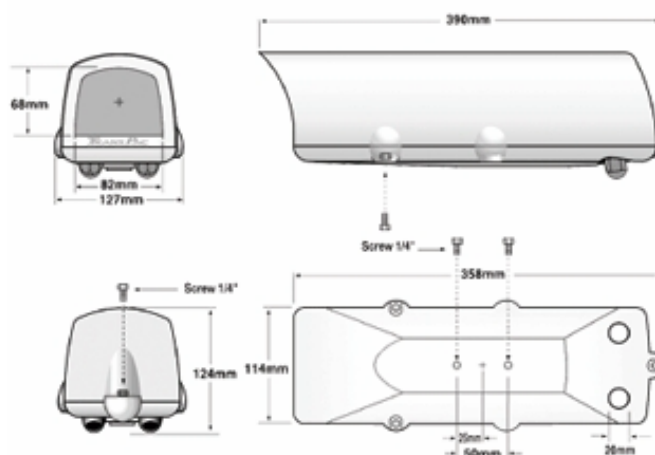




TOP OPENING CCTV CAMERA ENCLOSURE IP66 WEATHERPROOF PROFESSIONAL CAMERA HOUSING

Welcome to the NU-TEC 100 series, high quality outdoor camera housings. The housings have been produced using the highest quality die – casting aluminium materials and supplied completely with semi – cable managed brackets. IP68 glands, prefitted internal terminal strip and fuses are standard. Dust tight, high waterproof structure against the toughest of environments.



NU-TEC Security Products

10 Johnson St.
Wynnum Qld

(07) 3396 9546



FEATURES

RANGE OF APPLICATION	Indoor / Outdoor installations
CONSTRUCTION	Pressure die-cast aluminium alloy
ASSEMBLY	Semi-cable management system
CAMERA INSTALLATION	Easy to remove cover
NET WEIGHT	Housing 1.85Kgs, Bracket 0.66

SPECIFICATIONS

PROTECTION LEVEL	Weatherproof to BS.EN.60529 Level IP66
DIMENSION	390 x 127 x 124 (LxWxH)
INSIDE DIMENSIONS	230 x 90 x 70 (LxWxH) [mm] for camera
WINDOW	82 x 68 x 4 (LxHxTH) [mm] tempered glass
FINISH/COLOR	Light ivory powder coating & stove finish
CABLE INLET	PGA 13.5 x 2 cable-fitting (Ø 8.8 – 5 mm)

ELECTRICS

HEATING SYSTEM	230V/110V/24V/12V Heater optional Turn on at 18°C, Turn off at 28°C
TERMINAL BLOCK	3 way terminal block with 3 Amp fuse Spare 6 way terminal block
DUAL HEATER (option)	Second heater provides normal temperature condition for camera operation Turn on at 0°C, Turn off at 10°C