

SIDE OPENING CCTV CAMERA ENCLOSURE IP67 WEATHERPROOF PROFESSIONAL CAMERA HOUSING

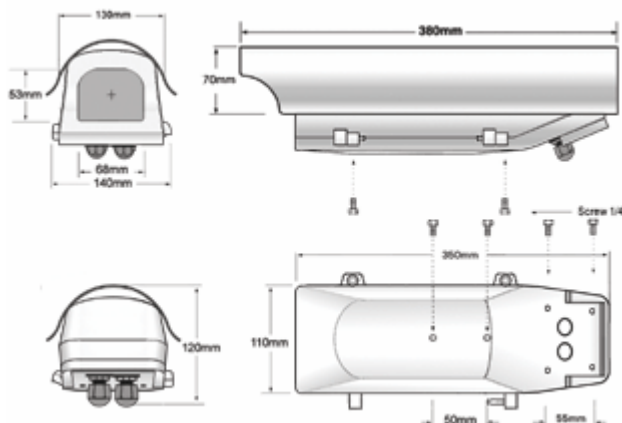


(Semi-cable management)

Welcome to the NU-TEC 300 series, high quality outdoor camera housings. The housings have been produced using the highest quality die – casting aluminium materials and supplied completely with semi – cable managed or fully – cable managed brackets. IP68 glands, prefitted internal terminal strip and fuses are standard. Open the cover by side hinge for easy access to the camera. Dust tight, high waterproof structure against the toughest of environments.



(Fully-cable management)



NU-TEC
Security
Products

10 Johnson St.
Wynnum Qld

(07) 3396 9546

FEATURES

RANGE OF APPLICATION	Indoor / Outdoor installations
CONSTRUCTION	Pressure die-cast aluminium alloy
ASSEMBLY	Semi-cable or fully-cable management system
CAMERA INSTALLATION	Easy to open cover by the side hinge
NET WEIGHT	Housing 2.3Kgs, Bracket 0.66 or 0.75Kgs

SPECIFICATIONS

PROTECTION LEVEL	Weatherproof to BS.EN.60529 Level IP67
DIMENSION	380 x 140 x 120 (LxWxH)
INSIDE DIMENSIONS	230 x 90 x 70 (LxWxH) [mm] for camera
WINDOW	68 x 53 x 4 (LxHxTH) [mm] tempered glass
FINISH/COLOR	Light ivory powder coating & stove finish
CABLE INLET	PGA11 x 2 cable-fitting (Ø 10 – 6 mm)

ELECTRICS

HEATING SYSTEM	230V/110V/24V/12V Heater optional Turn on at 18°C, Turn off at 28°C
BLOWER SYSTEM	24V/12V Blower optional (IP44) Turn on at 35°C, Turn off at 25°C
TERMINAL BLOCK	3 way terminal block with 3 Amp fuse Spare 6 way terminal block
DUAL HEATER (option)	Second heater provides normal temperature condition for camera operation Turn on at 0°C, Turn off at 10°C

